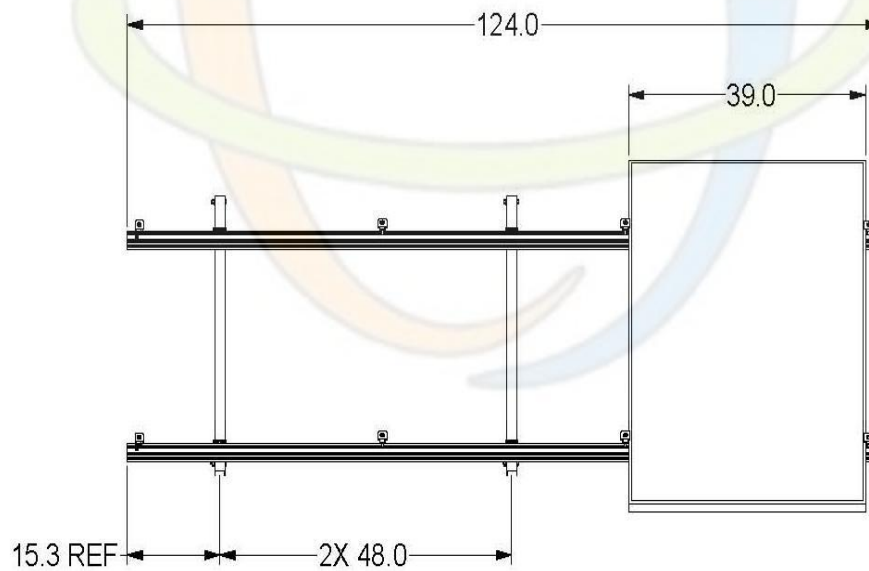
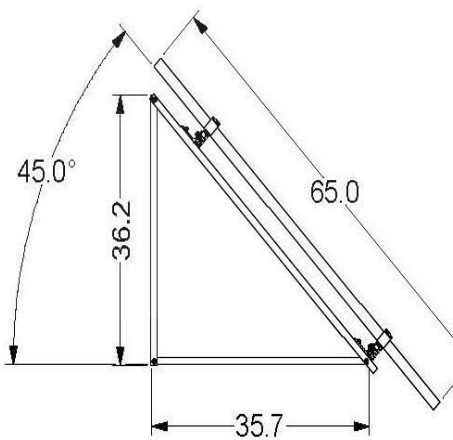


DETAIL A

DETAIL B



**WALL MOUNT KIT**

Product Number : WMK-3

ITEM	DESCRIPTION	QTY
1	"L" Foot Assembly	6
2	124" Aluminum Rail Assembly	2
3	230 Watt PolyCrystalline Solar Module (Not Included)	3
4	Module Middle Clamp	4
5	Module End Clamp	4
6	Triangle Assembly	3
7	Bonding Jumper	2

Notes:

1. Dimensions shown are in inches
2. 304 Stainless steel hardware. All other parts are either steel with hot dipped galvanizing or 6063 Aluminum with anodizing.
3. PV modules not included



Drawn By:	95 Brim Boulevard, Chambersburg, PA 17201	Date:
TBM		11/1/2012
Scale:	*This drawing is confidential property of EarthNet Energy and its contents may not be disclosed without prior written consent of EarthNet LLC.	Sheet:
NTS		1 of 1