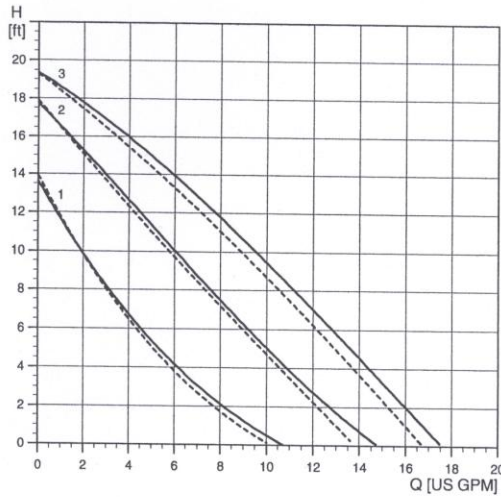


Technical data

UP Series
UPS 15-58FC/FRC

Super Brute



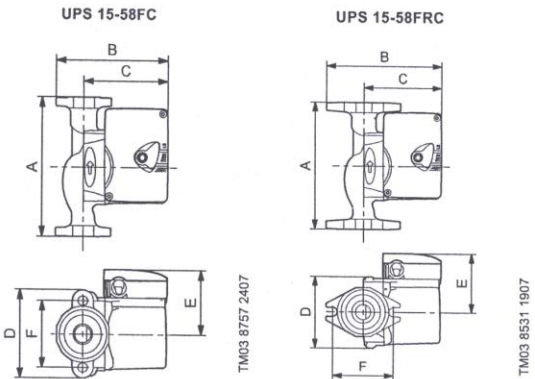
TM03 5535 0907

Flow range: 0-17 U.S. gpm
 Head range: 0-19.5 feet
 Motors: 2-pole, single-phase
 Max. liquid temperature: 230 °F (110 °C)
 Min. liquid temperature: 36 °F (2 °C)
 Max. system pressure: 145 psi

Model	Spd	Volts	Amps	Watts	Hp	Capacitor
UPS 15-58FC/FRC	3	115	0.75	87	1/25	10µF/180 V
	2		0.66	80	1/25	10µF/180 V
	1		0.55	60	1/25	10µF/180 V

— Without check valve
 - - - With check valve

Position	System type	Description
3	Closed	High speed
2	Closed	Medium speed
1	Closed	Low speed



Model type	Product number	A	B	C	D	E	F	Connection type and size	Shipping weight [lbs]
UPS 15-58FC	59896341	6 1/2	5 1/4	4	4 3/16	3	3 5/32	GF 15/26 flange (2) 1/2" dia. bolt bores	7 1/4
UPS 15-58FRC	59896343	6 1/2	5 1/4	4	4 3/16	3	3 5/32	GF 15/26 flange (2) 1/2" dia. bolt bores	7 1/4

Note: The check valve can be removed.