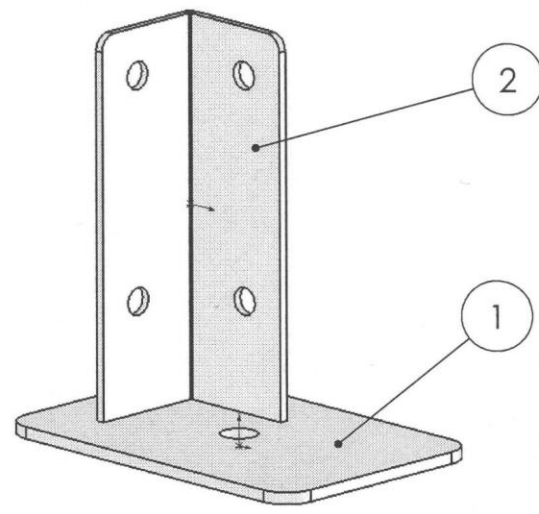
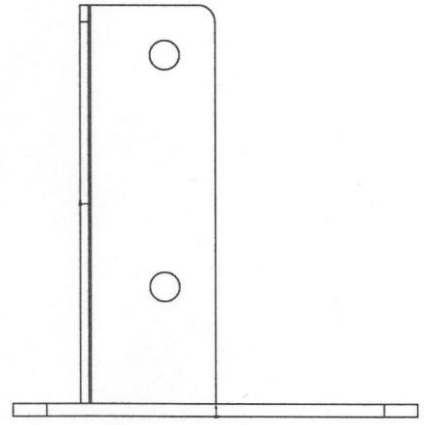
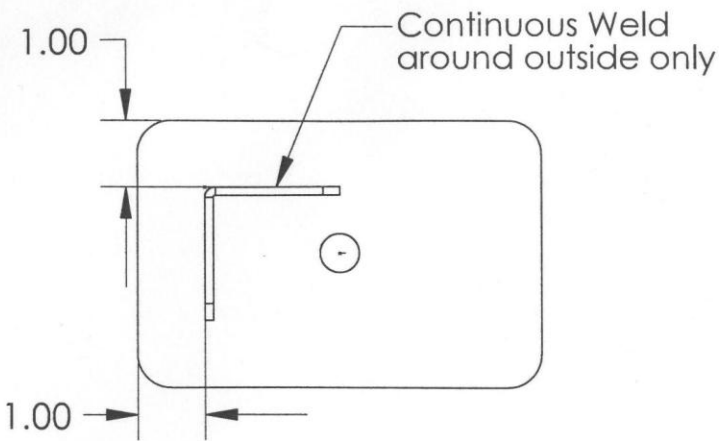


Assembly Table		
Part #	Item 1	Item 2
15140	Leg Base	15140-Leg
15141	Leg Base	15141-Leg
15142	Leg Base	15142-Leg
15144	Leg Base	15144-Leg
15146	Leg Base	15146-Leg



PROPRIETARY AND CONFIDENTIAL
 THE INFORMATION CONTAINED IN THIS DRAWING IS THE SOLE PROPERTY OF EarthNet Energy. ANY REPRODUCTION IN PART OR AS A WHOLE WITHOUT THE WRITTEN PERMISSION OF EarthNet Energy IS PROHIBITED.

		UNLESS OTHERWISE SPECIFIED:	NAME	DATE	TITLE: EarthNet Leg Assembly		
		DIMENSIONS ARE IN INCHES	DRAWN	SLM			1/15/2011
		TOLERANCES: FRACTIONAL ±	CHECKED				
		ANGULAR: MACH ± BEND ±0.5	ENG APPR.				
		TWO PLACE DECIMAL ±.031 THREE PLACE DECIMAL ±.015	MFG APPR.				
		INTERPRET GEOMETRIC TOLERANCING PER:	Q.A.			SIZE DWG. NO. REV A 15140-46	
		MATERIAL	COMMENTS:				
NEXT ASSY	USED ON	FINISH Powder Coat - River Texture Black					
APPLICATION		DO NOT SCALE DRAWING				SCALE: 1:3 WEIGHT: SHEET 1 OF 1	

5 4 3 2 1